

# External handle

to be used together with Quick-Lift Systems™ Control box

**An external handle that, when integrated with Quick-Lift Systems™ control box, meets the highest standards of ergonomics, working environment, safety and efficiency.**

Easy to use thanks to an outstanding reaction, regardless of load weight.

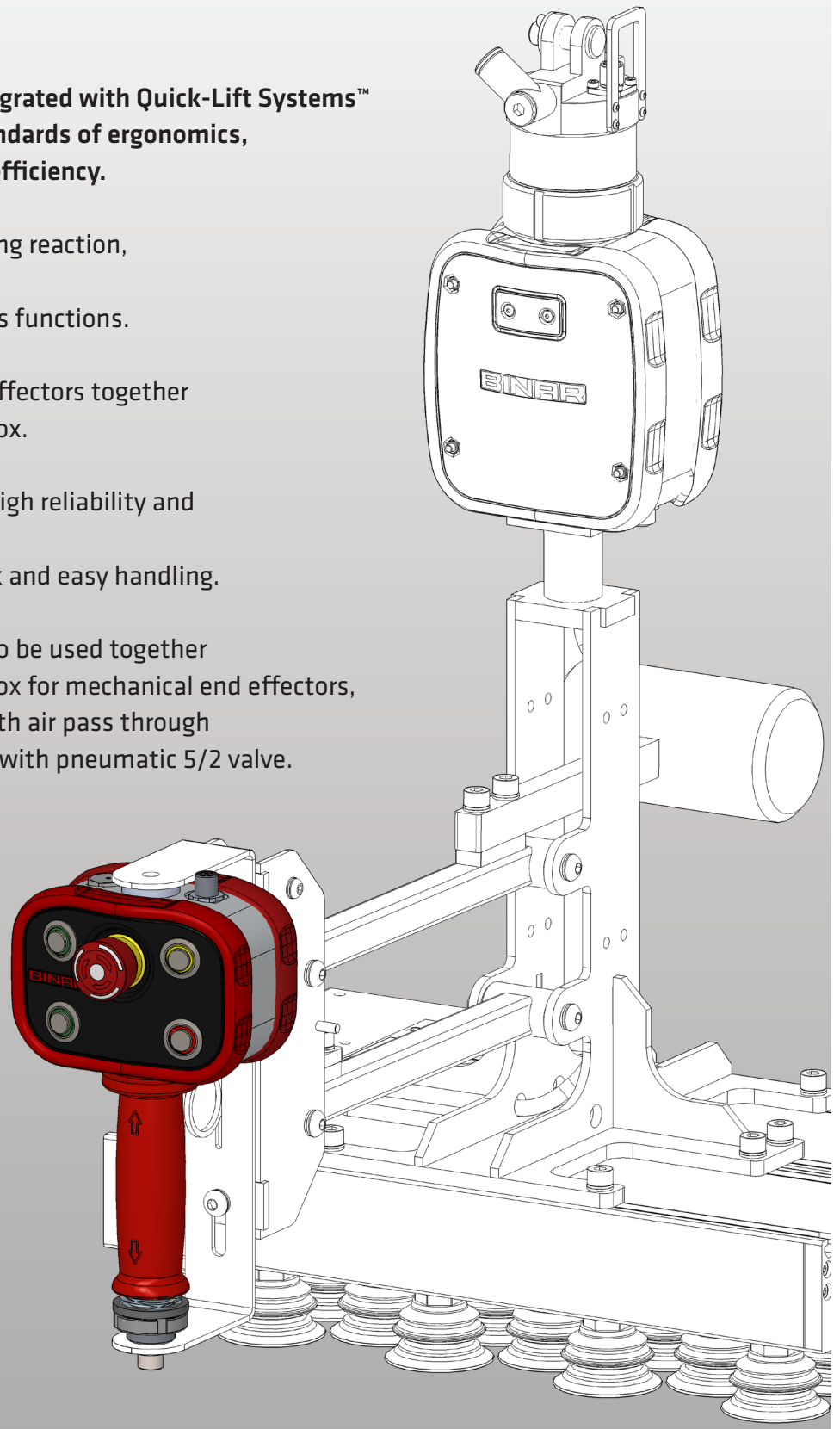
Easily accessible buttons for various functions.

Offers a versatile solution for end effectors together with Quick-Lift Systems™ Control box.

Costs effectively reduced through high reliability and durability.

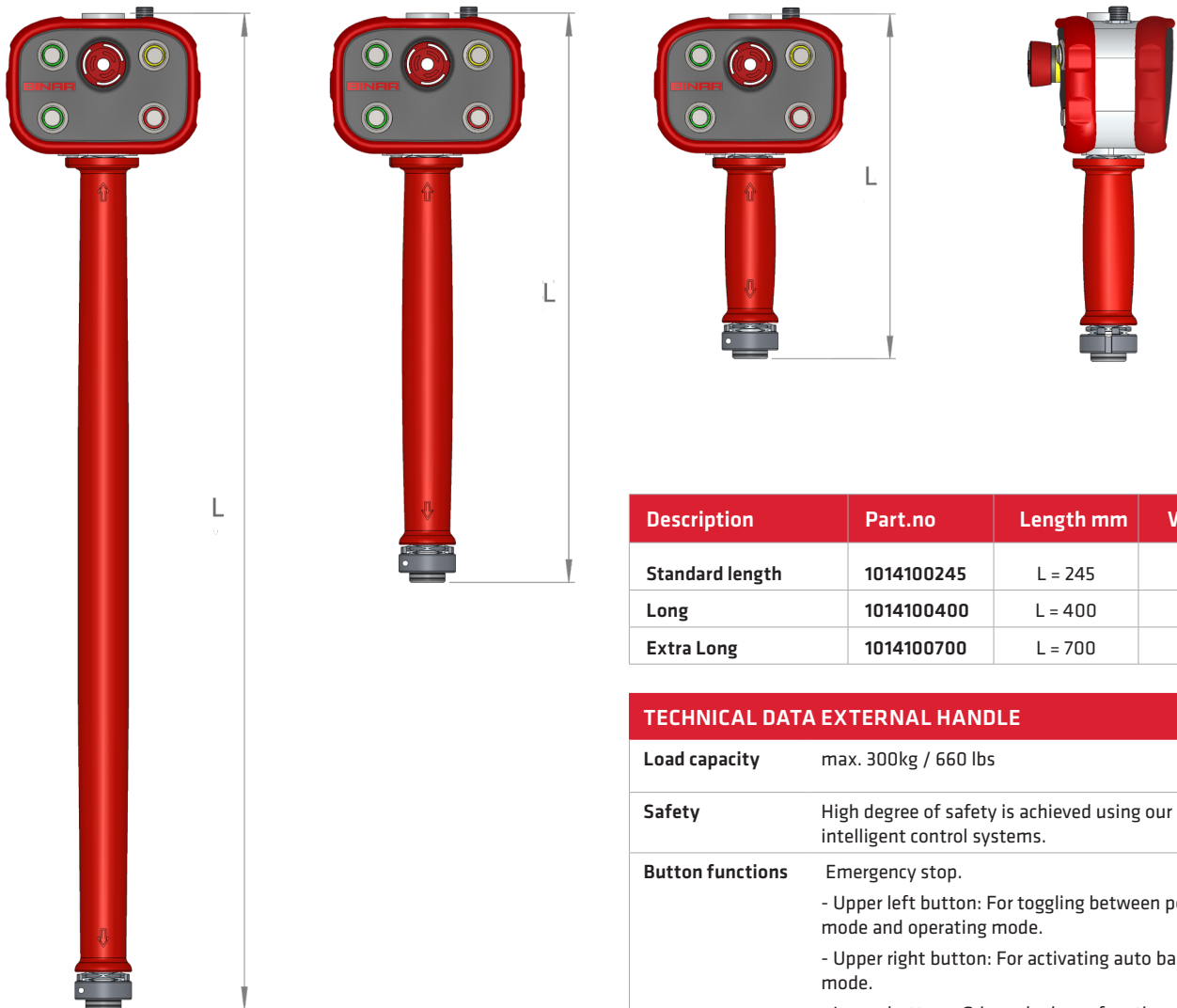
A strong and safe solution for quick and easy handling.

For customized end effectors and to be used together with Quick-Lift Systems™ Control box for mechanical end effectors, Quick-Lift Systems™ Control box with air pass through or Quick-Lift Systems™ Control box with pneumatic 5/2 valve.



# External handle

to be used together with Quick-Lift Systems™ Control box

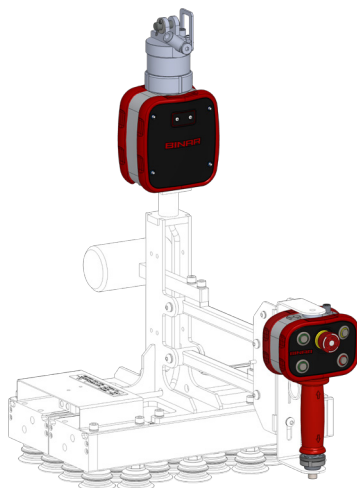


Description	Part.no	Length mm	Weight kg
Standard length	1014100245	L = 245	1,3
Long	1014100400	L = 400	1,7
Extra Long	1014100700	L = 700	2,1

## TECHNICAL DATA EXTERNAL HANDLE

<b>Load capacity</b>	max. 300kg / 660 lbs
<b>Safety</b>	High degree of safety is achieved using our intelligent control systems.
<b>Button functions</b>	<p>Emergency stop.</p> <ul style="list-style-type: none"> <li>- Upper left button: For toggling between power save mode and operating mode.</li> <li>- Upper right button: For activating auto balance mode.</li> <li>- Lower buttons: Grip and release functions</li> </ul>
<b>Main functions</b>	<ul style="list-style-type: none"> <li>- Handle mode, a smooth lifting operation is performed when the manoeuvre handle is moved up or down.</li> <li>- Auto balance mode or float mode, the same smooth lifting operation is performed when the operator moves the load it self up or down.</li> <li>- Electronically controlled gripping function that allows grip or release only when the weight of the work load is not affecting the end effector.</li> <li>- Automatic power save mode.</li> </ul>
<b>Other</b>	The External handle are to be used together with the Quick-Lift Control boxes.

Binar Handling AB disclaims responsibility for any errors or incomplete information in the published material and reserves the right to make changes.



Binar Handling AB  
 Hedekullevägen 24 • SE-461 38 TROLLHÄTTAN • Sweden  
 telephone: +46 (0)520 47 40 00 • e-mail: info.handling@binar.se  
 www.binarhandling.com

2021-02-23 EN 3.1

**BINAR**  
 Improving your productivity