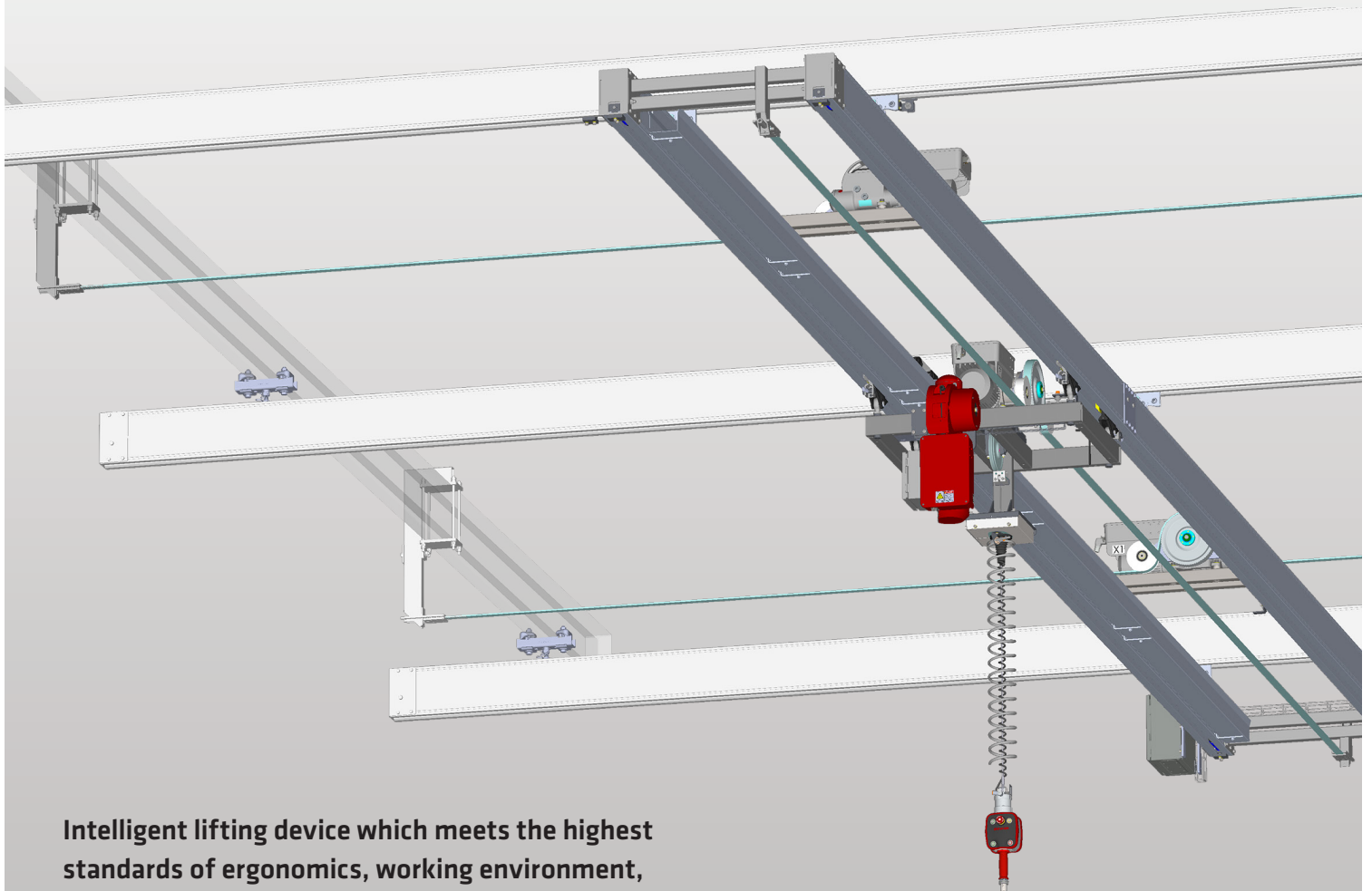


Quick-Lift Driven

QLD 125i



Intelligent lifting device which meets the highest standards of ergonomics, working environment, safety and efficiency.

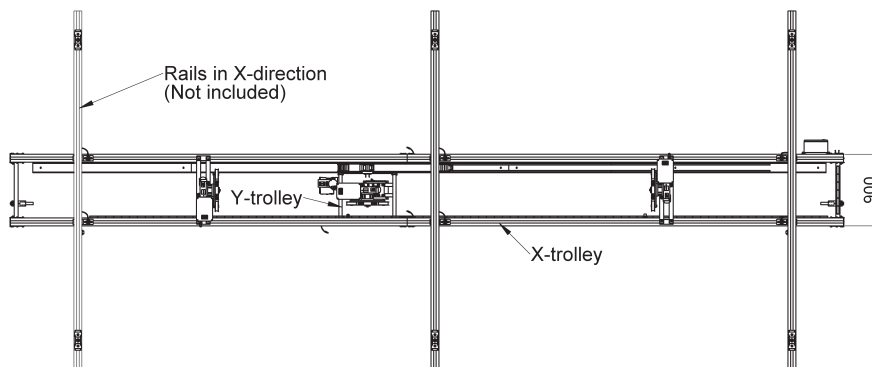
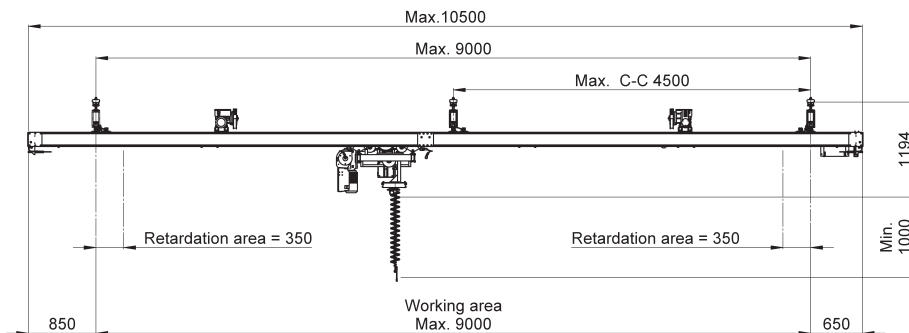
Easy to use, thanks to outstanding responsiveness, regardless of load weight.

Motorized horizontally and vertically driven system, where the operator gets a smoother handling while covering large working areas as for example production lines.

High cost efficiency through high reliability, increased productivity and long durability.

Quick-Lift Driven

QLD 125i



The rail system, Quick-Lift Driven 125i (QLD 125i) is a unique, motorized lifting device that easily covers large areas horizontally, with a lifting load up to 125kg.

It is an excellent versatile system for production lines as well as for working at various stations simultaneously. With this equipment, you will improve ergonomics and increase productivity without impairing precision and safety.

It is delivered preassembled with one lifting motor and three motors for the movement in X and Y directions.

The control handle can be attached to a standardized or customized end effector used to lift and handle a specific object determined by the customer.

Unique integrated mechanical, electrical, pneumatic swivel enables continuous rotation of the end effector.

TECHNICAL DATA QLD 125i

Lifting capacity	Max 125 kg
Working area	Max width of work area 9,0m Total width of trolley=work area + 1,5m
Stroke length	2,7 meter
Lift motor	Stepless servo-controlled asynchronous motor
Driven System	Three asynchronous motors
Drive	Tooth belt
Power supply	400-480V, 50-60 Hz, 3P+N+E, 16A
Material	Rails made of anodized aluminum.
Attachment	Rails for X-movement can be mounted on floor pillar, wall brackets or ceiling brackets. Max c/c x rails 4,5 m Max c/c supports i x-direction 4,5 m
Manoeuvring	Set in motion by using Binar Quick-Lifts patented control handle and rope angle sensors. Both sense the operator's hand/arm movement and give a very exact and even speed control. The rope drifts from the vertical line when the load is guided horizontally. The motor starts and follows in the same direction as the rope. The maximum horizontal speed is 1m/sec. Only a small force is needed to engage the up/down motion. When the operator let go of the handle, the up/down motion is immediately stopped.
End effector	End effectors are designed to fit customer's need. Intelligent I/O signals are available for optimum functionality.

Binar Quick-Lift Systems AB disclaims responsibility for any errors or incomplete information in the published material and reserves the right to make changes

Binar Quick-Lift Systems AB

Box 2014 • SE-461 11 TROLLHÄTTAN • Sweden
telephone: +46 (0)520 47 40 00 • e-mail: info.quicklift@binar.se
www.binarquicklift.com

BINAR
Improving your productivity